



|                 |                 |                 |
|-----------------|-----------------|-----------------|
| Document Number | Issue Date      | Rev. Date       |
| <b>DPL82501</b> | <b>11/15/99</b> | <b>05/16/12</b> |

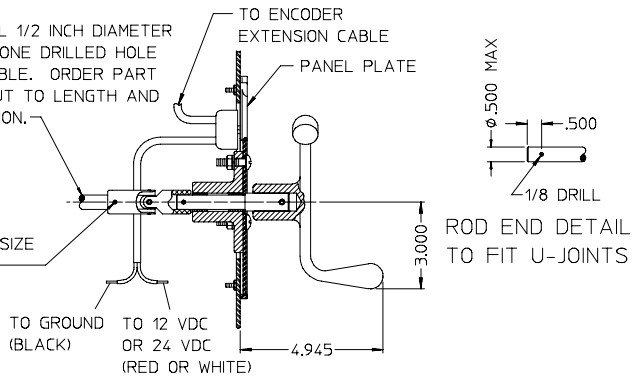
## Transfer Valve Actuator Dimensional Drawings CM and CMU Series Fire Pumps

Index:

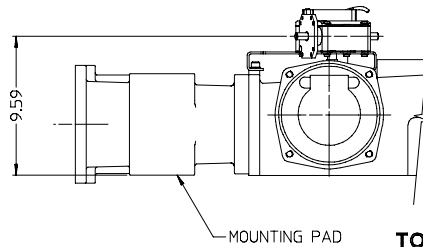
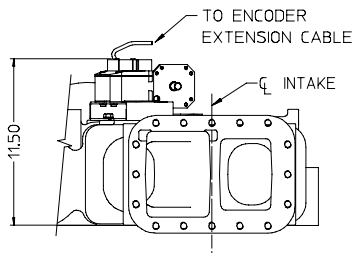
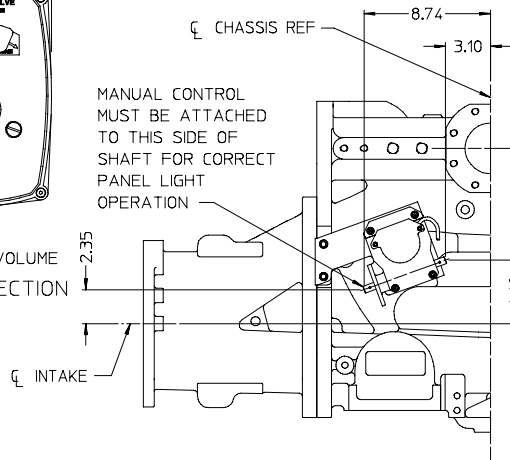
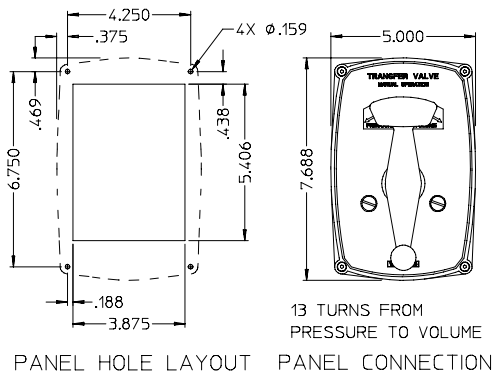
| Mounting | Operation | See Page |                 |
|----------|-----------|----------|-----------------|
|          |           | Actuator | Manual Override |
| Top      | Manual    | 2        | -               |
|          | Electric  | 3        | 6               |
| Bottom   | Manual    | 4        | -               |
|          | Electric  | 5        | 6               |

TO GEAR BOX, AN OPTIONAL 1/2 INCH DIAMETER X 28 INCH LONG ROD WITH ONE DRILLED HOLE FOR U-JOINT PIN IS AVAILABLE. ORDER PART NO. 63201. ROD MAY BE CUT TO LENGTH AND DRILLED TO SUIT APPLICATION.

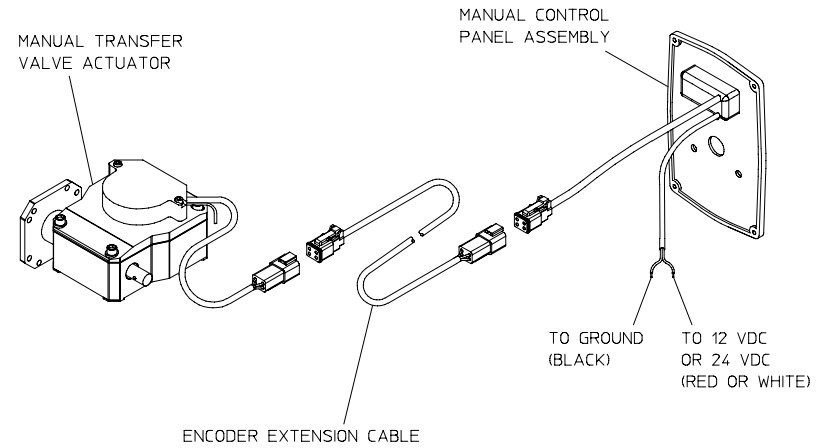
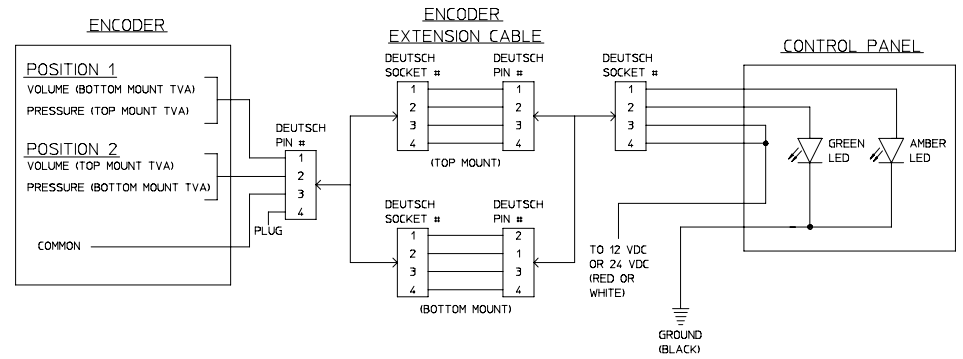
SEE ROD END DETAIL FOR SIZE AND HOLE REQUIREMENTS



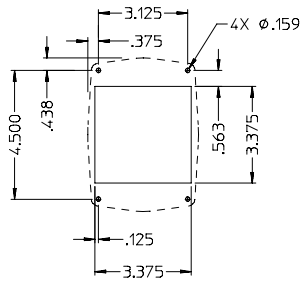
ROD END DETAIL TO FIT U-JOINTS



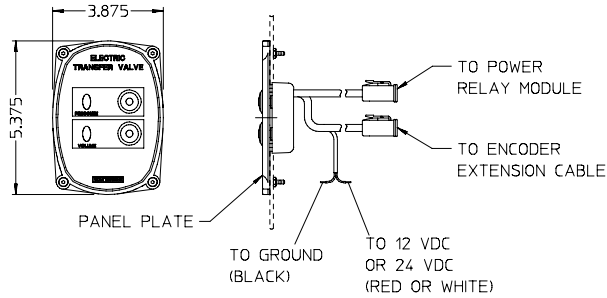
**TOP MOUNTED**  
 MANUAL



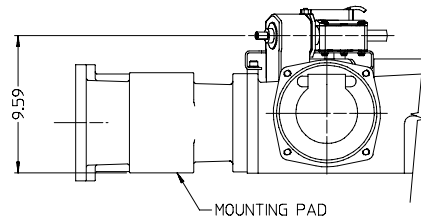
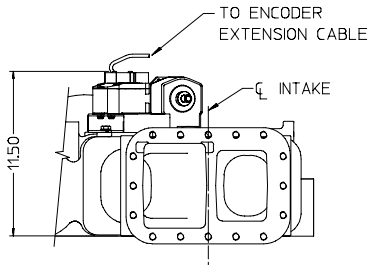
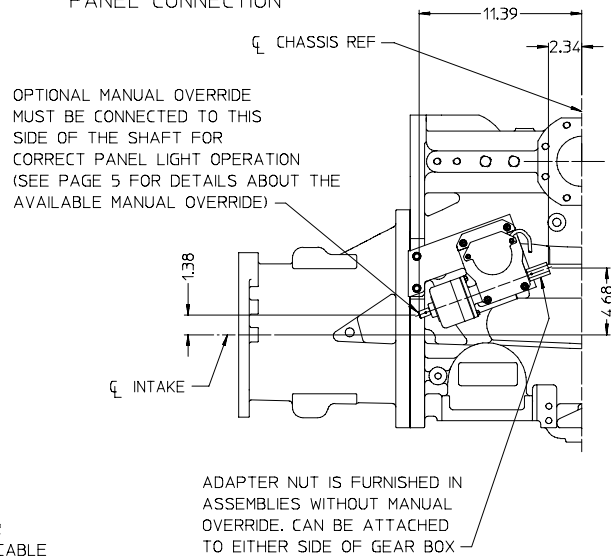
**TRANSFER VALVE ACTUATOR**  
 DPL82501  
 WATEROUS COMPANY  
 SOUTH ST. PAUL, MN 55075  
 PAGE 2 OF 6



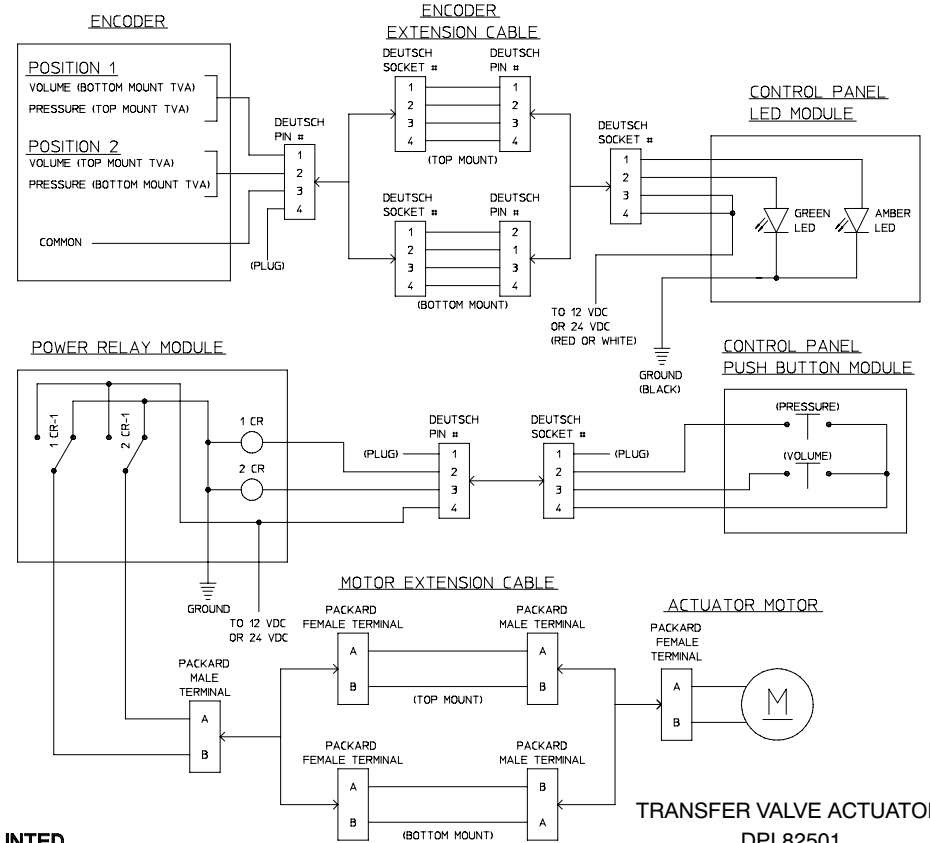
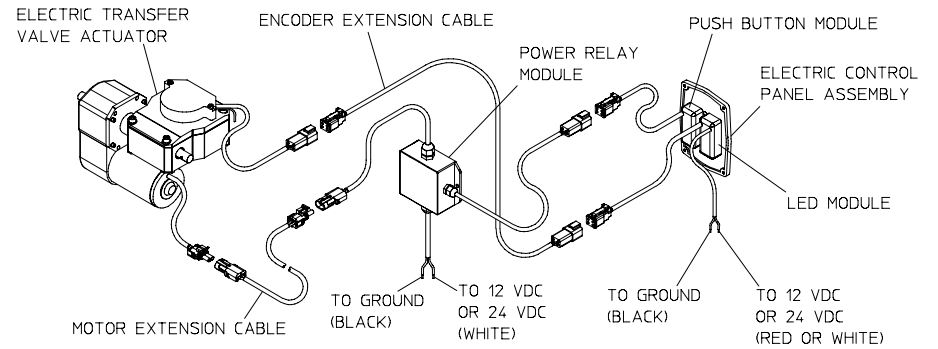
PANEL HOLE LAYOUT



PANEL CONNECTION



**TOP MOUNTED**  
ELECTRIC



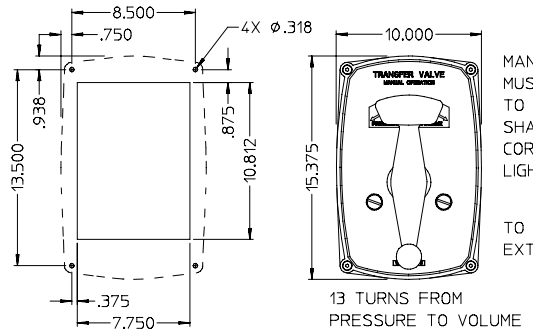
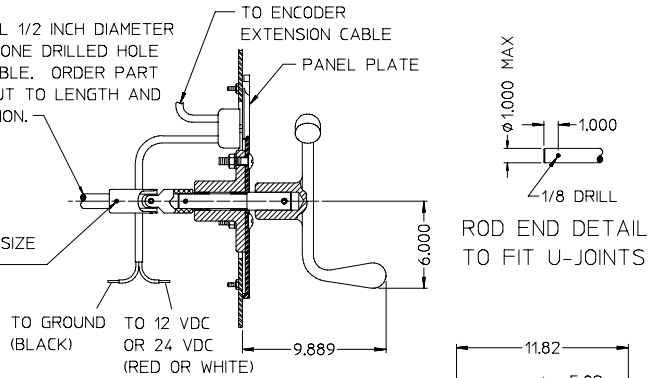
**TRANSFER VALVE ACTUATOR**

DPL82501

WATEROUS COMPANY  
SOUTH ST. PAUL, MN 55075

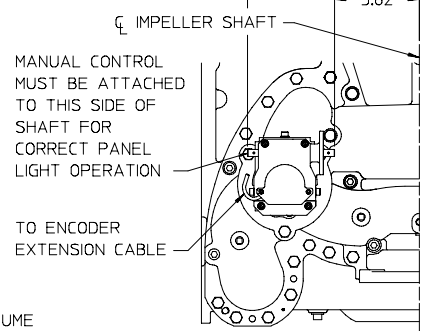
TO GEAR BOX, AN OPTIONAL 1/2 INCH DIAMETER X 28 INCH LONG ROD WITH ONE DRILLED HOLE FOR U-JOINT PIN IS AVAILABLE. ORDER PART NO. 63201. ROD MAY BE CUT TO LENGTH AND DRILLED TO SUIT APPLICATION.

SEE ROD END DETAIL FOR SIZE AND HOLE REQUIREMENTS

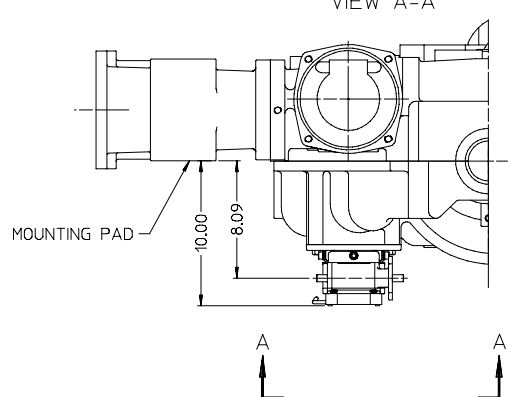
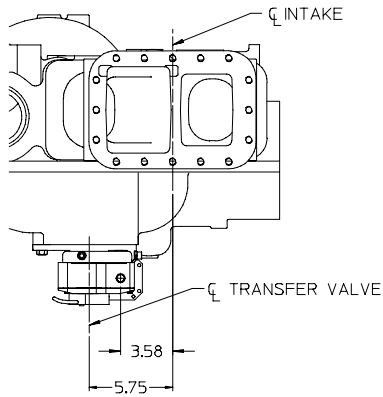


PANEL HOLE LAYOUT

PANEL CONNECTION

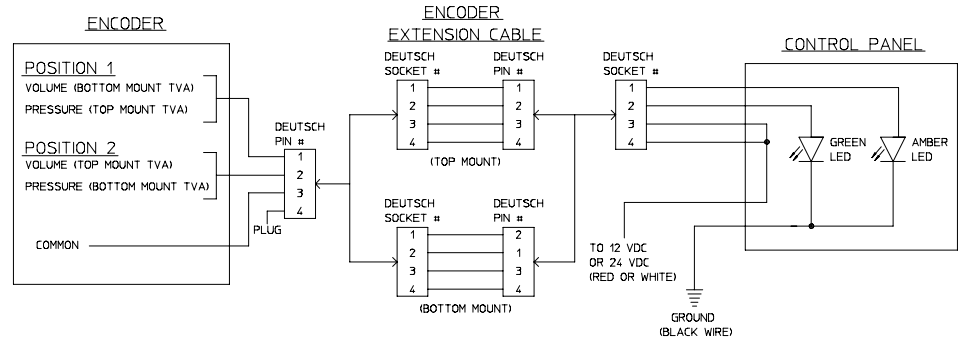


VIEW A-A



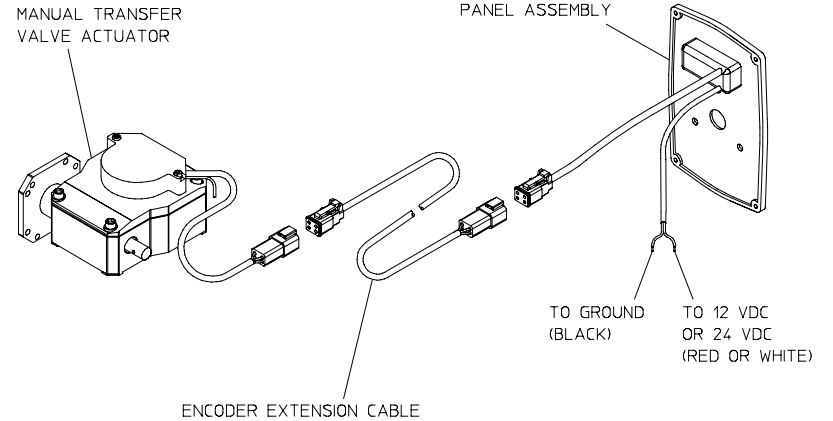
NOTE:  
THE BOTTOM MOUNTED MANUAL TRANSFER VALVE ACTUATOR CANNOT BE USED ON PUMPS WITH PA TRANSMISSION OR C10B, C20B, YB OR YBX TRANSMISSIONS WITH 1810 SERIES END YOKE DUE TO ACTUATOR INTERFERENCE WITH DRIVELINE.

**BOTTOM MOUNTED**  
MANUAL

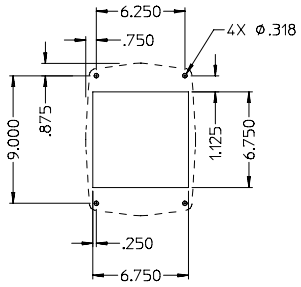


MANUAL TRANSFER VALVE ACTUATOR

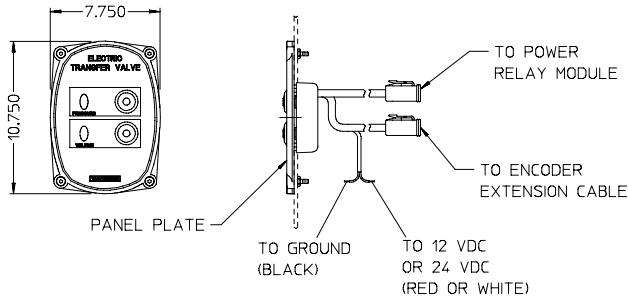
MANUAL CONTROL PANEL ASSEMBLY



**TRANSFER VALVE ACTUATOR**  
DPL82501  
WATEROUS COMPANY  
SOUTH ST. PAUL, MN 55075  
PAGE 4 OF 6

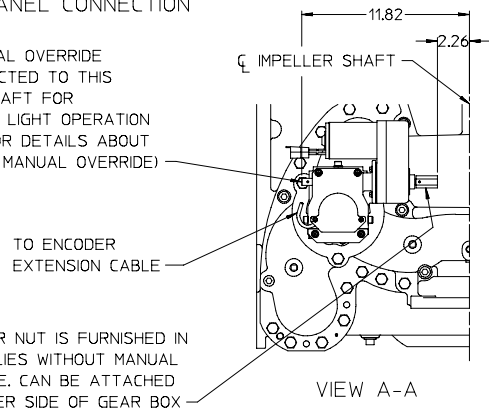


PANEL HOLE LAYOUT

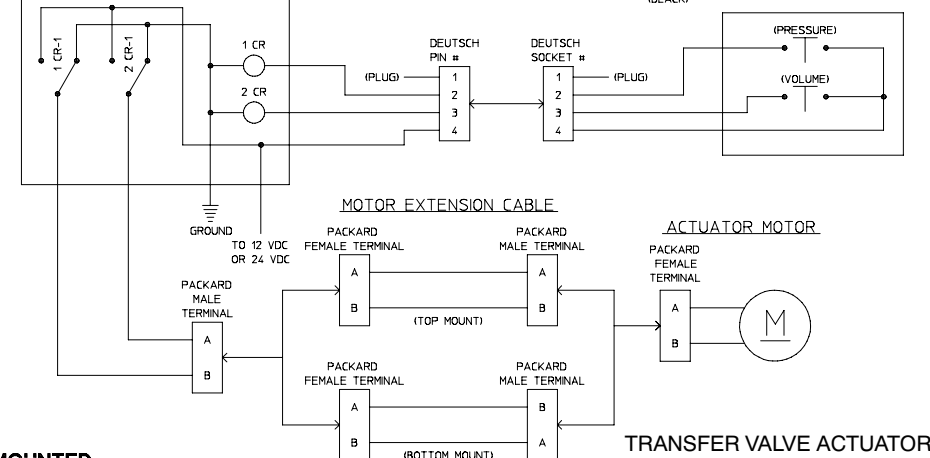
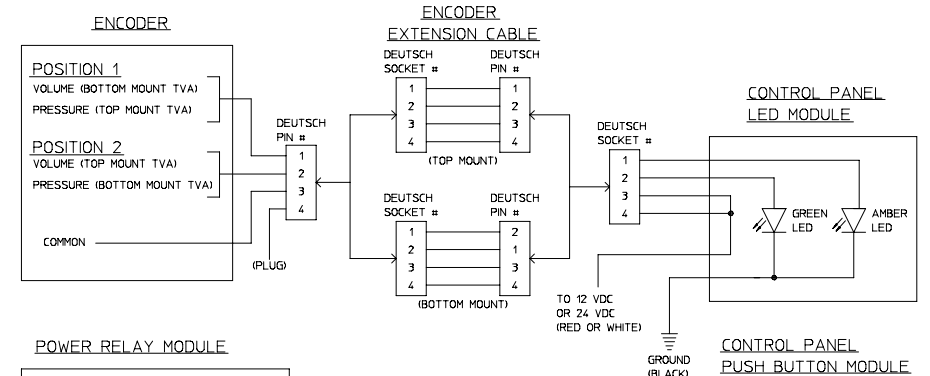
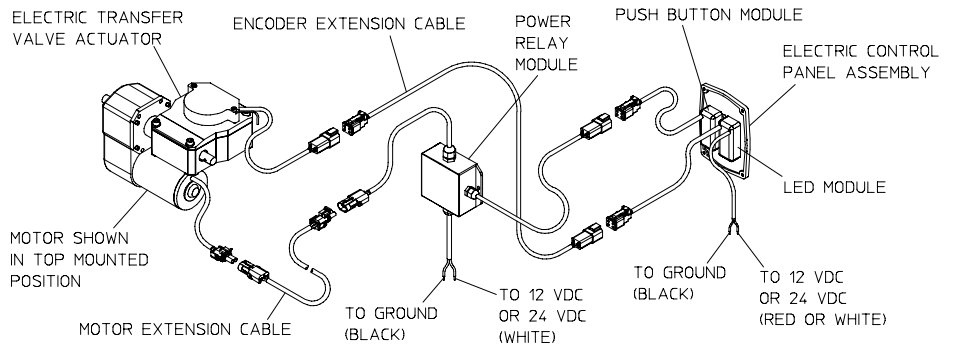


PANEL CONNECTION

OPTIONAL MANUAL OVERRIDE MUST BE CONNECTED TO THIS SIDE OF THE SHAFT FOR CORRECT PANEL LIGHT OPERATION (SEE PAGE 5 FOR DETAILS ABOUT THE AVAILABLE MANUAL OVERRIDE)



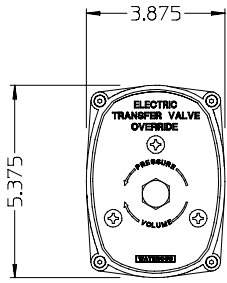
**BOTTOM MOUNTED**  
ELECTRIC



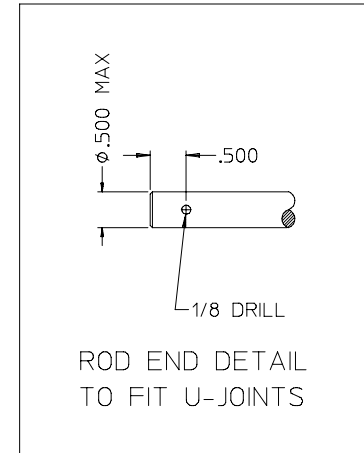
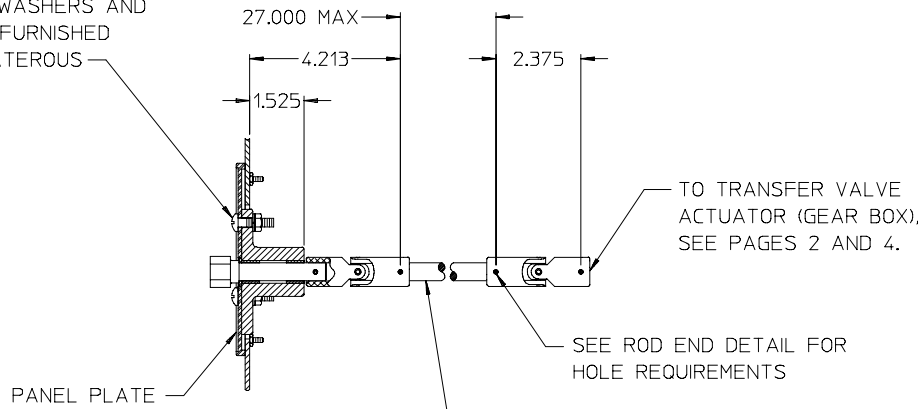
**TRANSFER VALVE ACTUATOR**  
DPL82501

WATEROUS COMPANY  
SOUTH ST. PAUL, MN 55075

NOTE:  
THE BOTTOM-MOUNTED ELECTRIC TRANSFER VALVE ACTUATOR CANNOT BE USED ON PUMPS WITH C10B, C20B, PA, YB OR YBX TRANSMISSIONS DUE TO ACTUATOR INTERFERENCE WITH DRIVELINE.

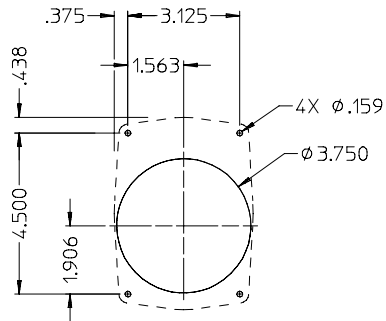


ROUND HEAD SCREWS,  
LOCK WASHERS AND  
NUTS FURNISHED  
BY WATEROUS

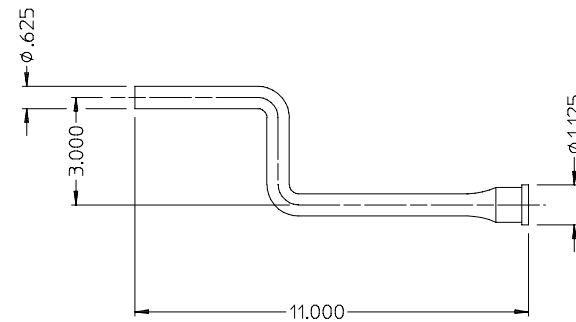


MANUAL OVERRIDE ASSEMBLY

AN OPTIONAL 1/2 INCH DIAMETER X 28 INCH LONG  
ROD WITH ONE DRILLED HOLE FOR U-JOINT PIN  
IS AVAILABLE. ORDER PART NO. 63201.  
ROD MAY BE CUT TO LENGTH AND  
DRILLED TO SUIT APPLICATION.



PANEL HOLE LAYOUT



CRANK HANDLE  
(MUST BE STORED)

**AVAILABLE MANUAL OVERRIDE FOR ELECTRIC ACTUATORS**