



Document Number	Issue Date	Rev. Date
SPL82469	11/16/00	11/29/17

S100 Series Impeller Shaft Service Parts List

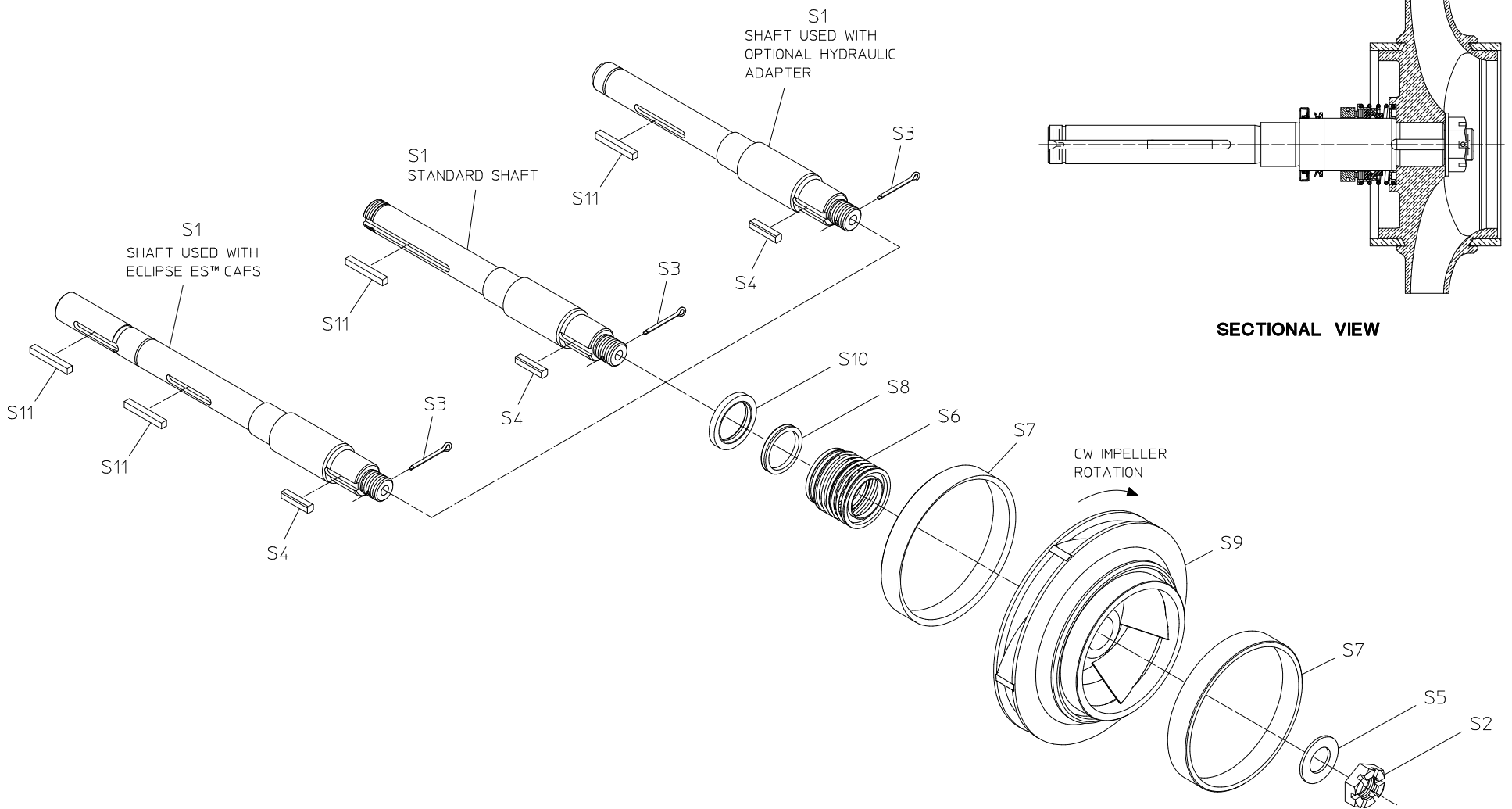
Index:

Pump Model	Complete Pump and Transmission Model <i>(Located on Pump Serial Plate)</i>				Pump Mounting on Transmission	See Pages
	C10 Series	C20 Series	P Series	D Series <i>(Direct Drive)</i>		
S100	S100C10B S100C10C S100C10D S100C10E S100C10F	S100C20B S100C20C S100C20D S100C20E S100C20F	-	-	Front (Input Shaft Side)	2, 3
			-	-	Rear (Output Shaft Side)	4, 5
	-	-	S100PA	-	Front (Input Shaft Side)	6, 7
	-	-	-	S100D	-	8, 9
S101	-	S101C20B S101C20C S101C20D S101C20E S101C20F	-	-	Front (Input Shaft Side)	2, 3

**S100 with C10 or C20 Transmission
Pump Mounted on Front (Input Shaft) Side of Transmission**

REF. NO.	DESCRIPTION
S1	Impeller shaft
S2	Impeller Nut, 1-1/8-12
S3	Cotter Pin, 1/8 in. x 1-3/4 in.
S4	Chamfered Square Key, 3/8 in. x 1-1/2 in.
S5	Flat Washer, 1-1/8 in.
S6	Mechanical Seal

REF. NO.	DESCRIPTION
S7	Wear Ring
S8	V-ring
S9	Impeller
S10	Oil Seal
S11	Square Key, 5/16 in. x 2-5/16 in.



S100 WITH C10 OR C20 TRANSMISSION

PUMP MOUNTED ON FRONT (INPUT SHAFT) SIDE OF TRANSMISSION

S100 SERIES IMPELLER SHAFT

SPL82469

WATEROUS COMPANY

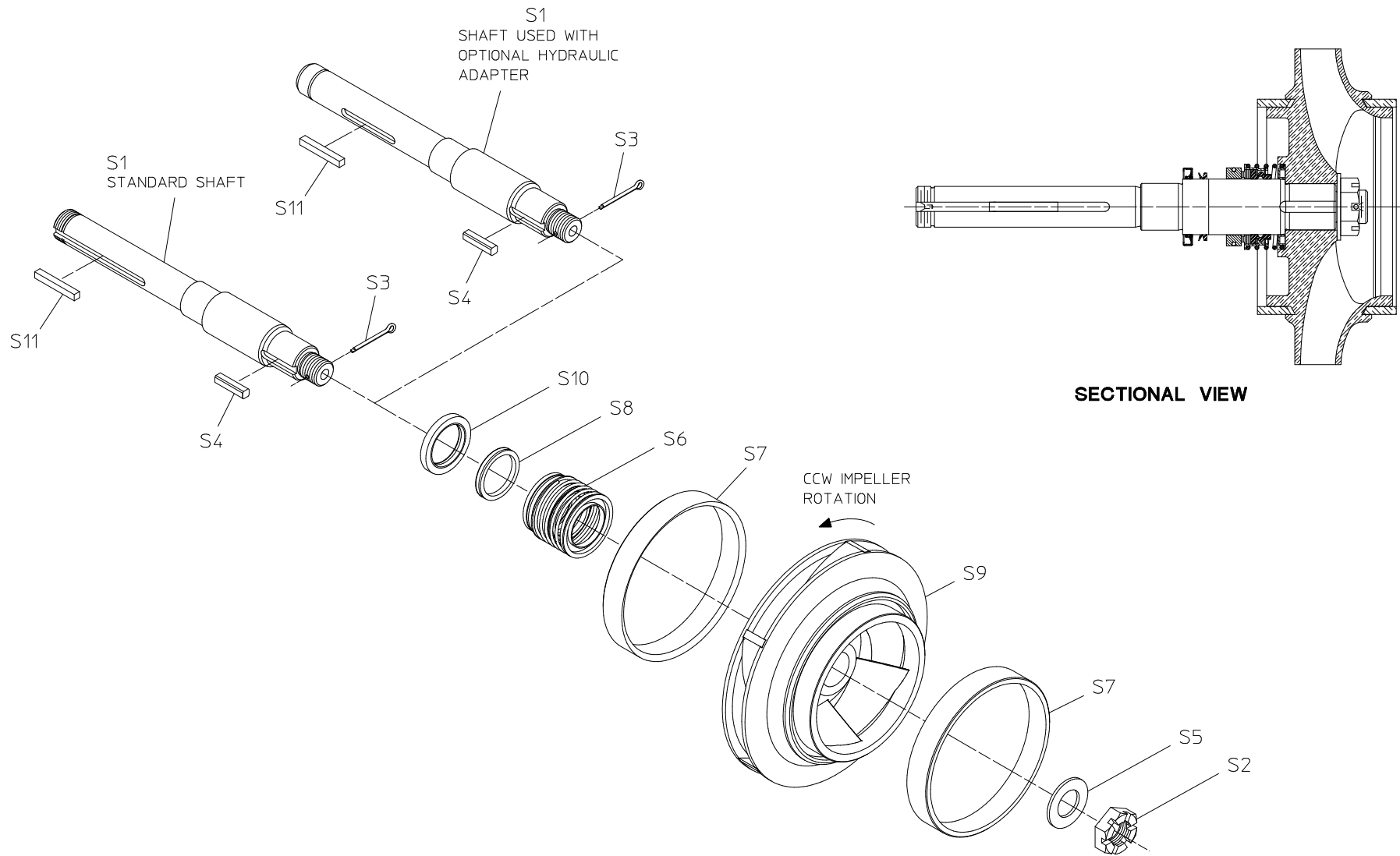
SOUTH ST. PAUL, MN 55075

PAGE 3 of 9

**S100 with C10 or C20 Transmission
Pump Mounted on Rear (Output Shaft) Side of Transmission**

REF. NO.	DESCRIPTION
S1	Impeller shaft
S2	Impeller Nut, 1-1/8-12
S3	Cotter Pin, 1/8 in. x 1-3/4 in.
S4	Chamfered Square Key, 3/8 in. x 1-1/2 in.
S5	Flat Washer, 1-1/8 in.
S6	Mechanical Seal

REF. NO.	DESCRIPTION
S7	Wear Ring
S8	V-ring
S9	Impeller
S10	Oil Seal
S11	Square Key, 5/16 in. x 2-5/16 in.



S100 WITH C10 OR C20 TRANSMISSION

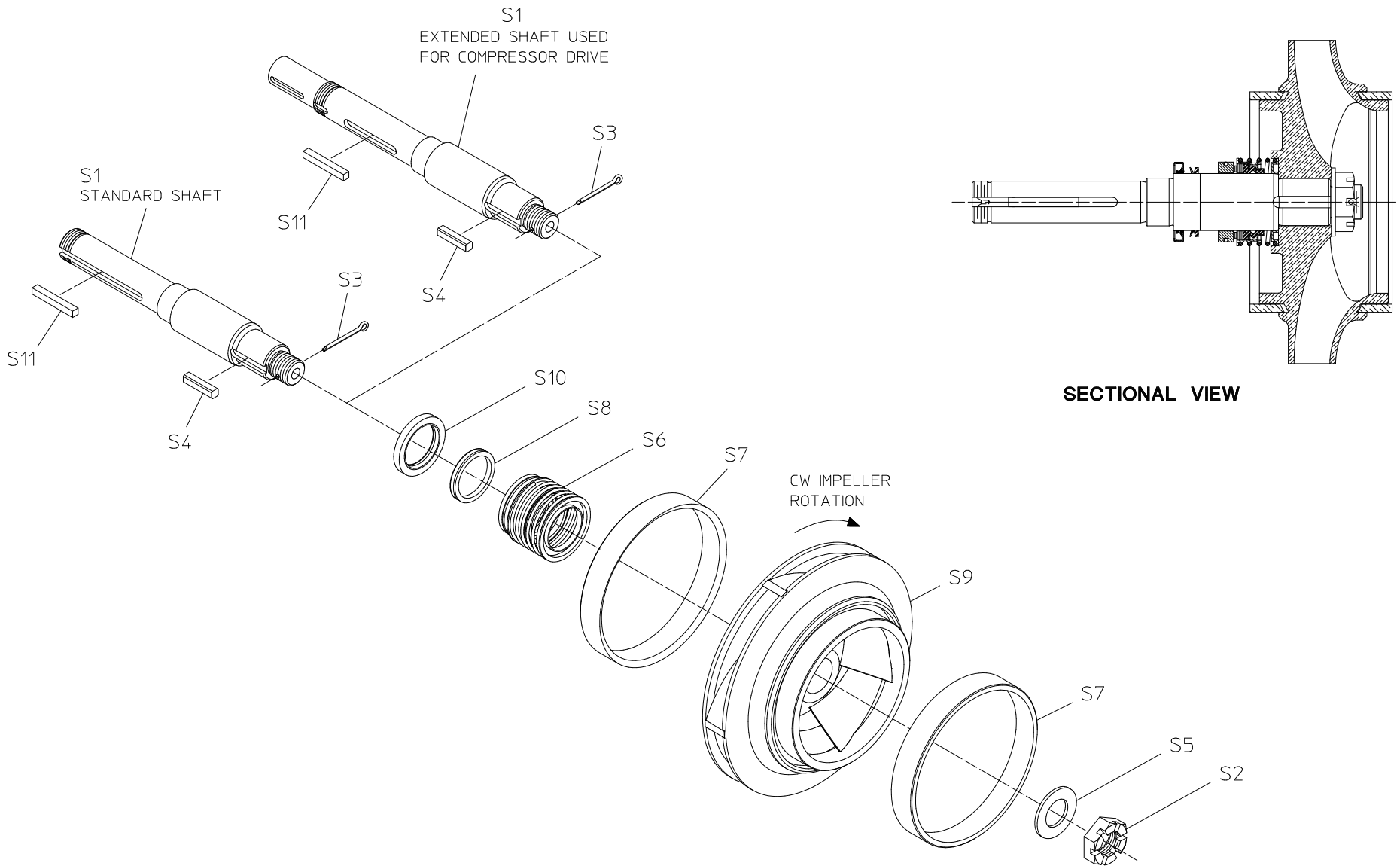
PUMP MOUNTED ON REAR (OUTPUT SHAFT) SIDE OF TRANSMISSION

S100 SERIES IMPELLER SHAFT
 SPL82469
 WATEROUS COMPANY
 SOUTH ST. PAUL, MN 55075
 PAGE 5 OF 9

**S100 with PA Transmission
Pump Mounted on Front (Input Shaft) Side of Transmission**

REF. NO.	DESCRIPTION
S1	Impeller shaft
S2	Impeller Nut, 1-1/8-12
S3	Cotter Pin, 1/8 in. x 1-3/4 in.
S4	Chamfered Square Key, 3/8 in. x 1-1/2 in.
S5	Flat Washer, 1-1/8 in.
S6	Mechanical Seal

REF. NO.	DESCRIPTION
S7	Wear Ring
S8	V-ring
S9	Impeller
S10	Oil Seal
S11	Square Key, 5/16 in. x 2-5/16 in.



S100 WITH PA TRANSMISSION

PUMP MOUNTED ON FRONT (INPUT SHAFT) SIDE OF TRANSMISSION

S100 SERIES IMPELLER SHAFT
 SPL82469
 WATEROUS COMPANY
 SOUTH ST. PAUL, MN 55075

S100D Direct Drive

REF. NO.	DESCRIPTION
S1	Impeller shaft
S2	Impeller Nut, 1-1/8-12
S3	Cotter Pin, 1/8 in. x 1-3/4 in.
S4	Chamfered Square Key, 3/8 in. x 1-1/2 in.
S5	Flat Washer, 1-1/8 in.
S6	Mechanical Seal
S7	Wear Ring
S8	V-ring
S9	Impeller
S10	Oil Seal

REF. NO.	DESCRIPTION
S12	Ball Bearing (Double Row)
S13	Bearing Lock Nut
S14	Bearing Lock Washer
S15	Retaining Ring
S16	Ball Bearing (Single Row)
S17	Oil Seal
S18	End Yoke
S19	Self Locking Nut

