



Document Number	Issue Date	Rev. Date
<b>SPL83066</b>	<b>07/16/09</b>	<b>5/11/18</b>

## Model S101 Pump Body Service Parts List (With Crosspipe Intake)

Index:

Complete Pump and Transmission Model <i>(Located on Pump Serial Plate)</i>	See Pages		
	Pump Body and Intake Adapter	Tank to Pump Flange Components	Optional Discharge Manifold
S101C20C S101C20D S101C20E S101C20F	2, 3	4, 5	6, 7

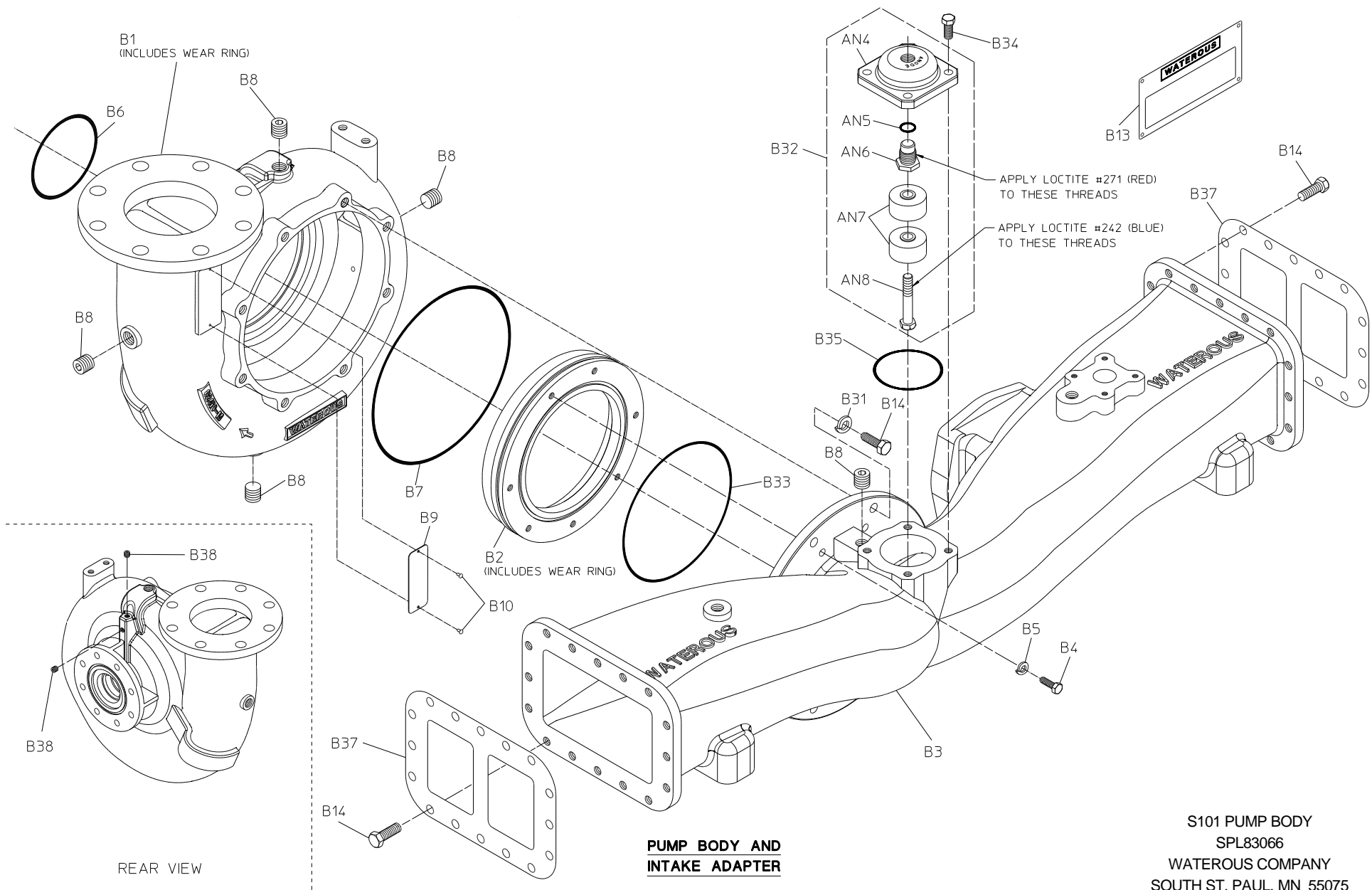
Waterous Company 125 Hardman Avenue South, South St. Paul, Minnesota 55075 USA (651) 450-5000

NOTE: When ordering parts, provide Pump, Transmission or PTO Serial Number.

## Pump Body and Intake Adapter

REF. NO.	DESCRIPTION
B1	Volute Body Assembly (Includes Wear Ring)
B2	Wear Ring Housing Assembly (Includes Wear Ring)
B3	Intake Crosspipe
B4	Hex Hd Screw, 3/8-16 x 1-1/4 in.
B5	Lockwasher, 3/8 in.
B6	O-ring, 4-1/4 in. x 4-1/2 in.
B7	O-ring, 10-1/2 in. x 10-3/4 in.
B8	Headless Pipe Plug, 3/8 in.
B9	Serial Plate (Pump)
B10	Round Hd Drive Screw, #6 x 1/4 in.

REF. NO.	DESCRIPTION
B13	Serial Plate (Panel)
B14	Hex Hd Screw, 1/2-13 x 1-1/4 in.
B31	Lockwasher, 1/2 in.
B32	Anode Subassembly
B33	O-ring, 8 in. x 8-1/4 in.
B34	Hex Hd Screw, 7/16-14 x 1 in.
B35	O-ring, 3-1/2 in. x 3-3/4 in.
B37	Intake Fitting Gasket
B38	Headless Pipe Plug, 1/8 in.
AN4	Anode Flange
AN5	O-ring, 3/4 x 15/16 in.
AN6	Anode Adapter
AN7	Anode
AN8	Hex Hd Screw, 1/2-13 x 3 in.

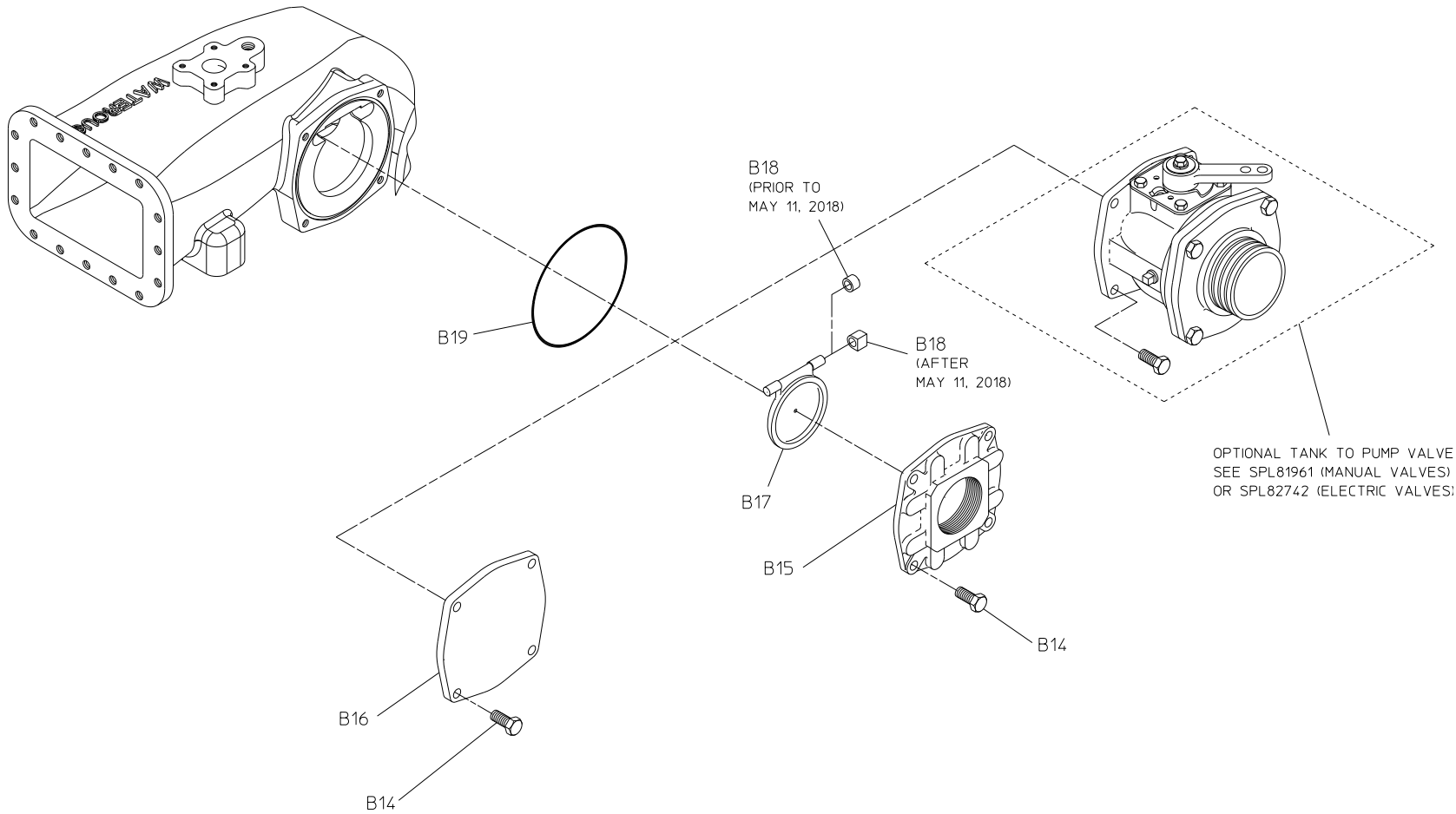


S101 PUMP BODY  
 SPL83066  
 WATEROUS COMPANY  
 SOUTH ST. PAUL, MN 55075  
 PAGE 3 OF 7

## Tank to Pump Flange Components

REF. NO.	DESCRIPTION
B14	Hex Hd Screw, 1/2-13 x 1-1/4 in.
B15	Adapter, 2-1/2 NPT
B15	Adapter, 3 NPT

REF. NO.	DESCRIPTION
B16	Blind Flange
B17	Check Valve
B18	Check Valve Bushing
B19	O-ring, 6-3/4 x 7 in.

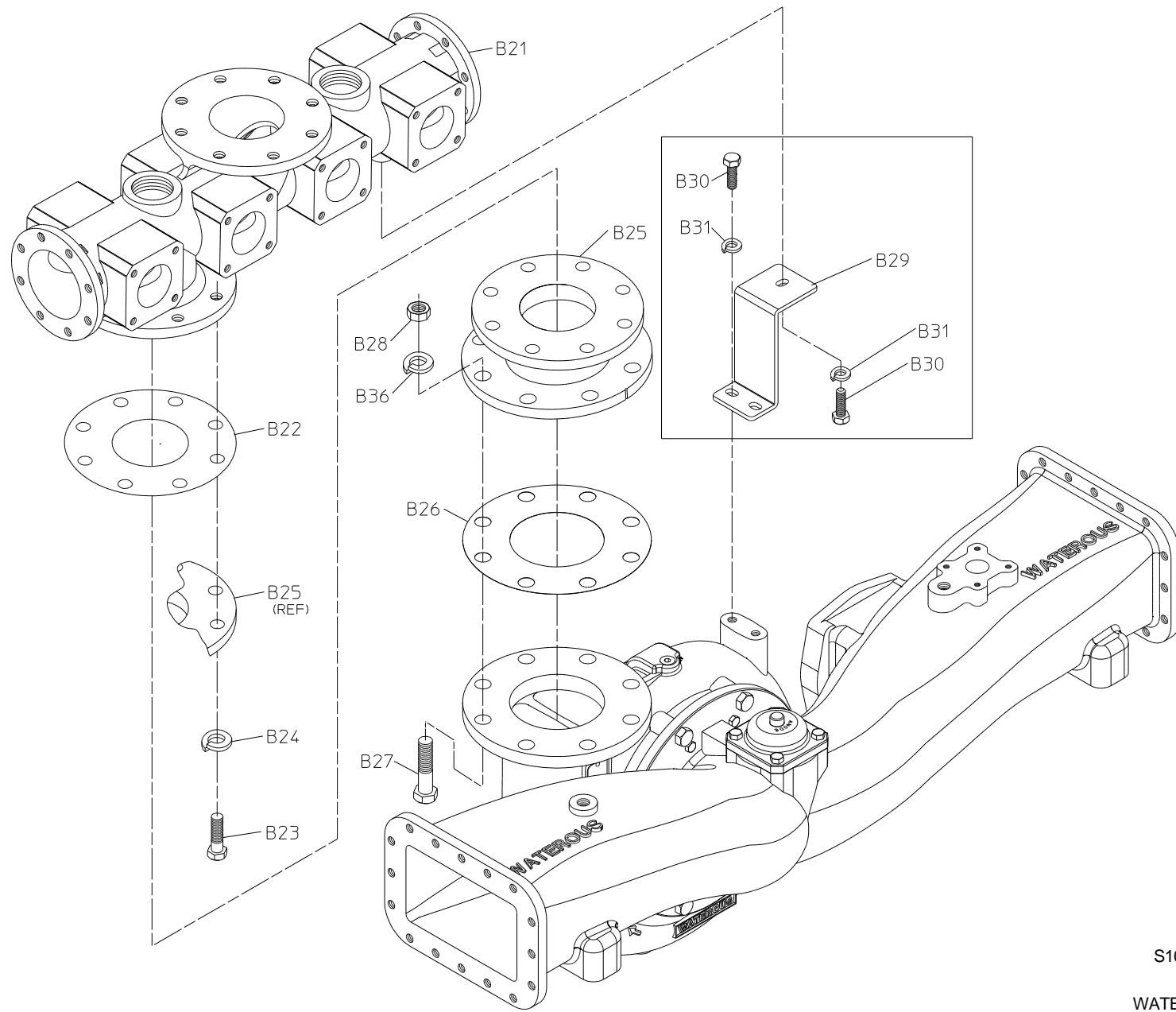


**TANK TO PUMP FLANGE COMPONENTS**

## Optional Discharge Manifold

REF. NO.	DESCRIPTION
B21	Discharge Manifold
B22	Flange Gasket, 4 in. ANSI
B23	Hex Hd Screw, 5/8-11 x 1-1/2 in.
B24	Lock Washer, 5/8 in.
B25	Flange Adapter

REF. NO.	DESCRIPTION
B26	Flange Gasket, 5 in. ANSI
B27	Hex Hd Screw, 3/4-16 x 2-1/2 in.
B28	Hex Nut, 3/4-16
B29	Manifold Bracket
B30	Hex Hd Screw, 1/2-13 x 1 in.
B31	Lock Washer, 1/2 in.
B36	Lock Washer, 3/4 in.



**OPTIONAL DISCHARGE MANIFOLD**